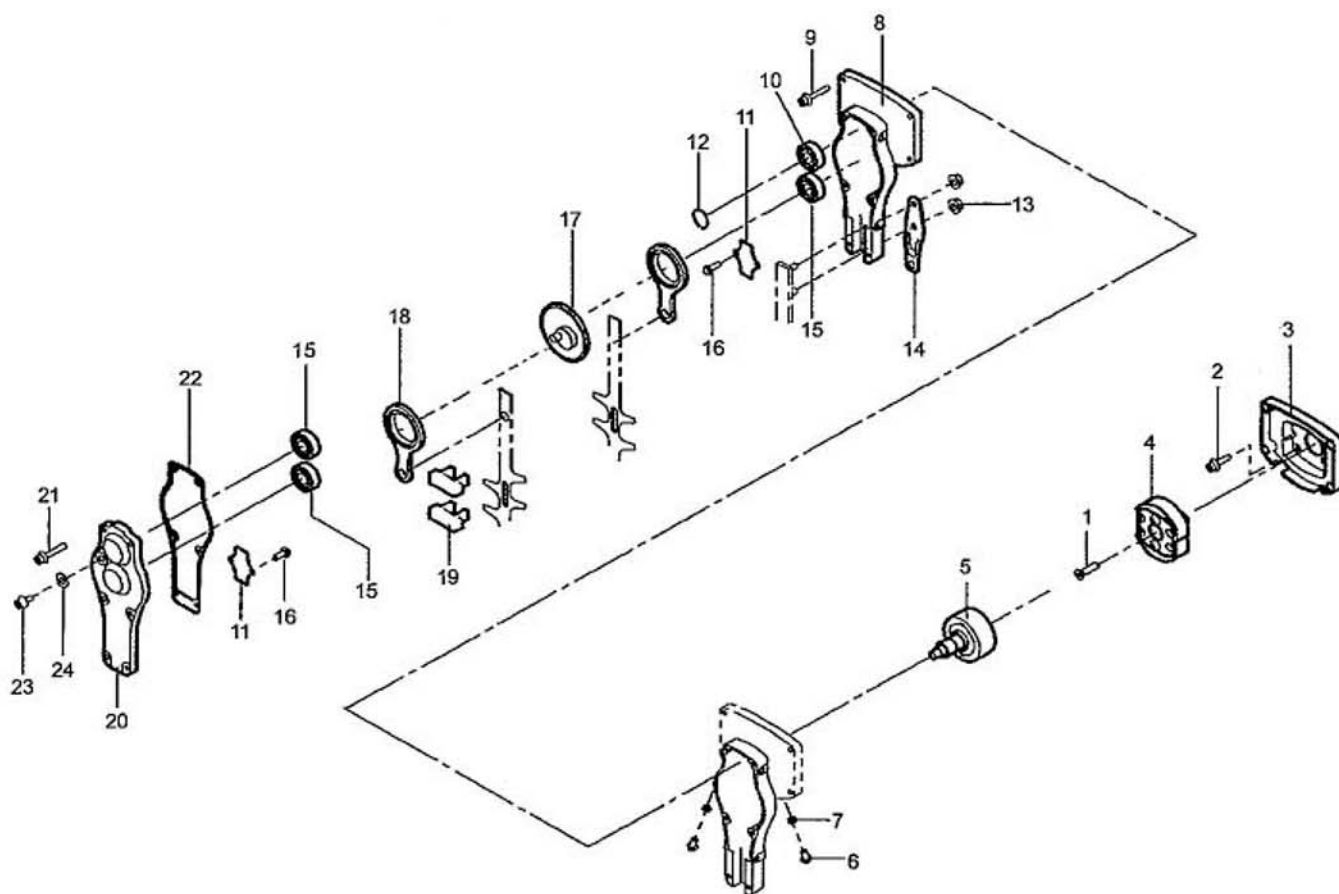


TM3100, TM3110

GEAR CASE

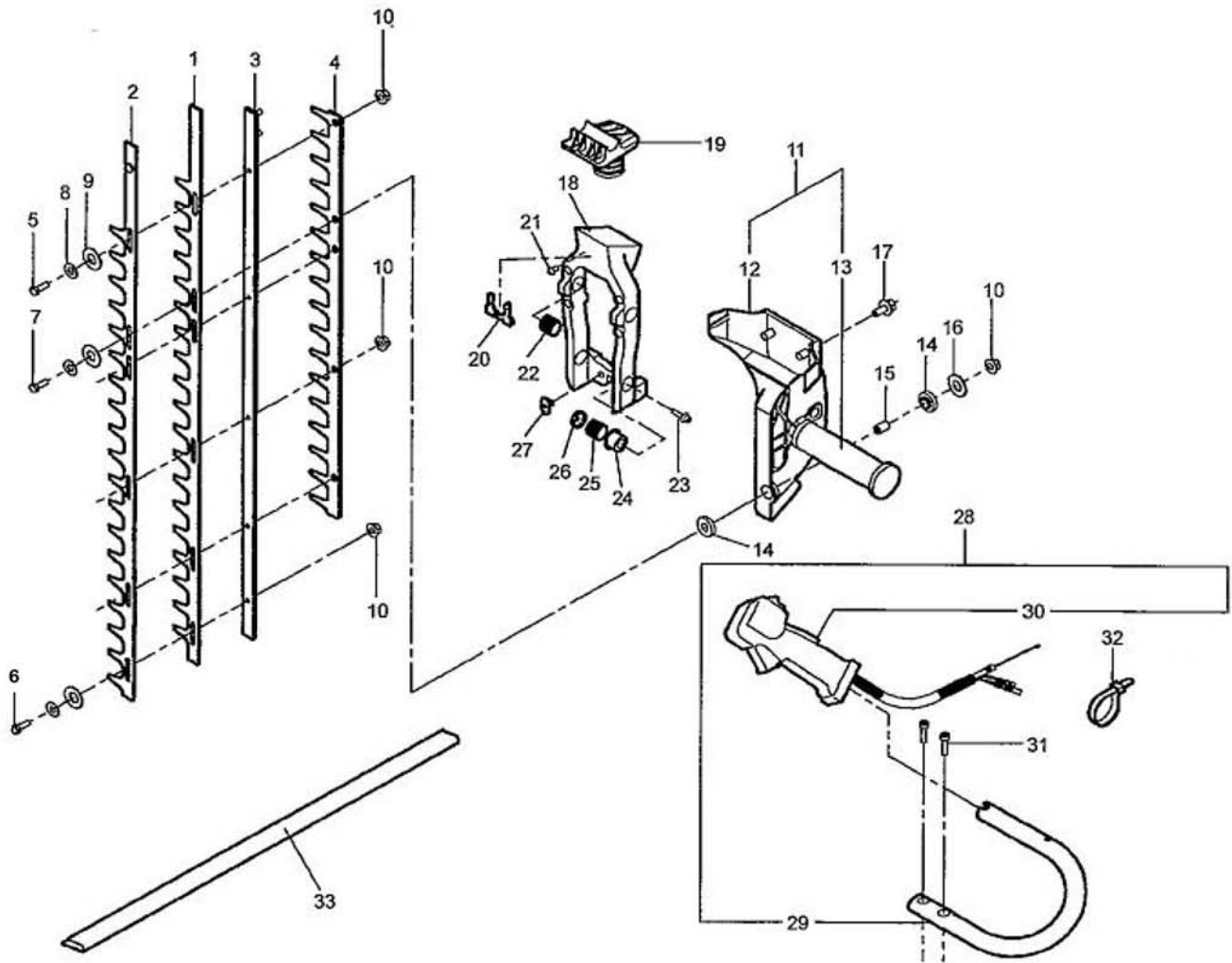


PARTS LIST

REF. No.	PARTS No.	PARTS NAME	Q'TY		REMARKS
				INCLUDING	
1	375L 0620	(+)-FLAT SCREW	1		M6 × 20
2	423U 0515	SOCKET SCREW FLANGE	4		M5 × 15
3	51070 129	ENGINE BASE	1		
4	71019 118	CLUTCH SHOE ASS'Y	1		
5	11014 216	CLUTCH DRUM C.P.	1		
6	335L 0508	BOLT FLANGE	2		M5 × 8
7	513L 0500	HEXAGON NUT	2		M5
8	51068 106	CAM CASE	1		
9	423U 0518	SOCKET SCREW FLANGE	4		M5 × 18
10	954B 6003	BEARING	1		6003 ZZ C3
11	11050 168	FIXING PLATE	2		
12	812V 1700	C-SNAPRING FOR SHAFT	1		Φ17
13	571L 0600	HEXAGON NUT FLANGE	2		M6
14	11102 208	HOLDER	1		
15	954B 0629	BEARING	3		629 ZZ C3
16	31062 152	LOCK COAT (+) SCREW	4		M4 × 8
17	78004 256	GEAR	1		
18	11046 104	CAM ROD C.P.	2		
19	61010 111	FELT PACKING	2		
20	51069 104	CAM CASE COVER	1		
21	423U 0515	SOCKET SCREW FLANGE	6		M5 × 15
22	61019 214	PACKING	1		
23	427U 0608	SOCKET SCREW BUTTON	1		M6 × 8
24	611L 0600	PLAIN WASHER	1		M6

TM3100, TM3110

CUTTER , HANDLE



PARTS LIST

REF. No.	PARTS No.	PARTS NAME	Q'TY		REMARKS
				INCLUDING	
1	91053 122	CUTTER(A)	1		
2	91054 113	CUTTER(B)	1		
3	11051 128	CUTTER GUIDE	1		
4	51090 129	PROTECTOR	1		
5	31029 112	STEP BOLT(S)	1		
6	31029 105	STEP BOLT(S)	4		
7	31030 105	STEP BOLT(L)	1		
8	670V 0700	CONICAL SPRING WASHER	6		M6
9	68002 101	CUTTER WASHER	6		
10	584L 0600	U-HEXAGON NUT FLANGE	6		M6
11	71014 378	HANDLE ASS'Y	1		
12	51027 240	HANDLE	1		
13	36007 136	HANDLE GRIP	1		
14	36005 169	VIBRO-ISOLATING RUBBER	2		
15	11083 376	COLLAR	1		
16	68036 163	WASHER	1		
17	31057 235	BOLT	2		M5 x 20
18	51022 171	BRACKET	1		
19	51022 180	BRACKET	1		
20	11086 179	STOPPER	1		
21	477L 0408	(+)TRUSS TAPPING SCREW	2		M4 x 8
22	68013 326	SPRING	2		
23	423U 0515	SOCET SCREW FLANGE	4		M5 x 15
24	11102 210	HOLDER	4		
25	68013 327	SPRING	2		

